

# EDG-C

BY WESTERN LIGHTING

EDGE LIT SIGN  
EXIT OR STAIRS  
SURFACE / CEILING MOUNTED  
LED OR FLUORESCENT  
AC ONLY

## SPECIFICATIONS

**HOUSING:** Welded 20 gauge cold rolled steel is painted after fabrication. Lamps and ballasts are contained in this shallow 3 1/2" deep by 3 3/4" wide by 14 7/8" long housing.  
**STAINLESS STEEL ALSO AVAILABLE**  
(See FINISH).

**INSCRIPTION:** Letters are a full 6" high x 3/4" stroke, deep engraved around the edges, screened on a 3/16" acrylic panel. The panel has polished edges for a clear crisp look. A divider plate is included for double panel signs.  
Arrows are full-length underneath inscription.  
Red letters on clear "-R/C"  
Red letters on white "-R/W"  
Green letters on clear "-G/C"  
Green letters on white "-G/W"  
Consult factory for special inscriptions and graphics "-SG"

**LAMPS:** White LED array 4.5 Watt (Chicago Code) (5 year warranty) "-LED"  
Two F8T5 fluorescent lamps are included, each with a separate ballast. "-FL"

**VOLTAGE:** Available 120 or 277 volt input.  
Please specify "-120" or "-277".  
(Dual-voltage not available)

**FINISH:** Standard is white enamel "-WH"  
Optional finishes are:  
Black "-BL"  
Bronze "-BZ"  
Brushed Stainless Steel "-SS"  
For custom colors specify "-S/P".

**MOUNTING:** 7/8" diameter knockouts are provided on top center. Canopy is included.  
For pendant mounting see (OPTIONS).

**OPTIONS:** Pendant mounting kit is available specify "-PMK/(LENGTH)", where (LENGTH) is stem size in inches.

**CODES:** Complies with UL 924, NEC and NFPA 101 Life Safety Code.  
Fire Prevention Bureau, City of Chicago.  
ETL listed.

**DIMENSIONS:** Panel size is as follows:

	<u>EXIT or STAIRS</u>
Height, no arrows	6 7/8"
Height with arrows	8 3/4"
Width	13 5/8"

## ORDERING CODE

OPTIONS	INSCRIPTIONS	LAMP	VOLT	FINISH	OPTIONS			
EDG-C	+	+	+	+	+			
C (CEILING SURFACE MOUNTED)	(*CODE)-R/C (*CODE)-R/W (*CODE)-G/C (*CODE)-G/W (*CODE)-SG *SEE BELOW	LED FL	120 277	WH BL  BZ SS S/P	PMK/(LENGTH)			
CODE	<u>SINGLE FACE</u>				<u>DOUBLE FACE</u>			
INSCRIPTIONS	NO ARROW	ARROW RIGHT	ARROW LEFT	DOUBLE ARROW	NO ARROW	ARROW RIGHT	ARROW LEFT	DOUBLE ARROW
EXIT	3	6	9	12	18	21	21	24
STAIRS	2	5	8	11	17	20	20	23

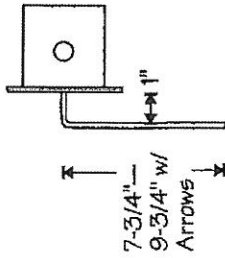
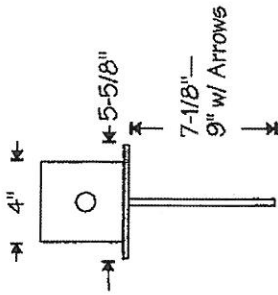
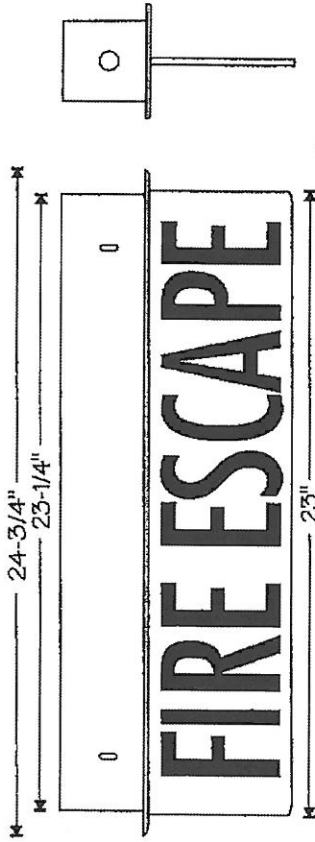
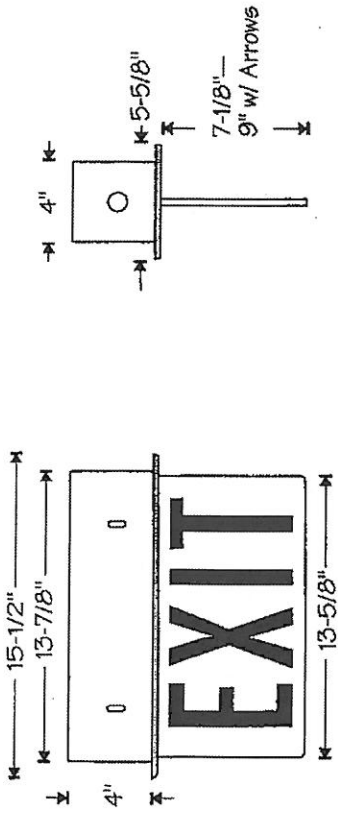


**WESTERN LIGHTING, INC.**  
2349 N. 17th Ave. • Franklin Park, IL 60131-3432  
(847) 451-7200 • Fax: (847) 451-7275

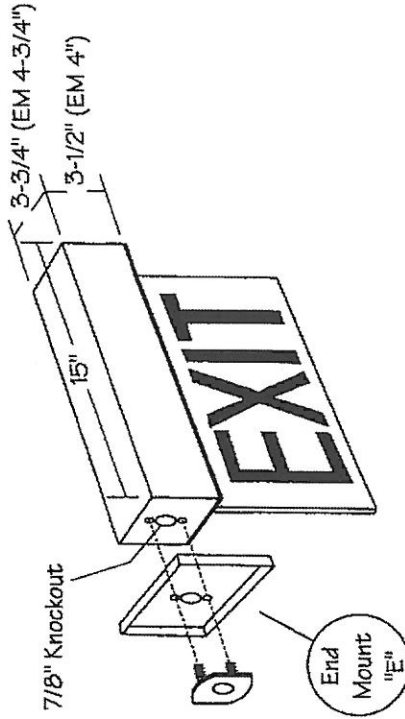
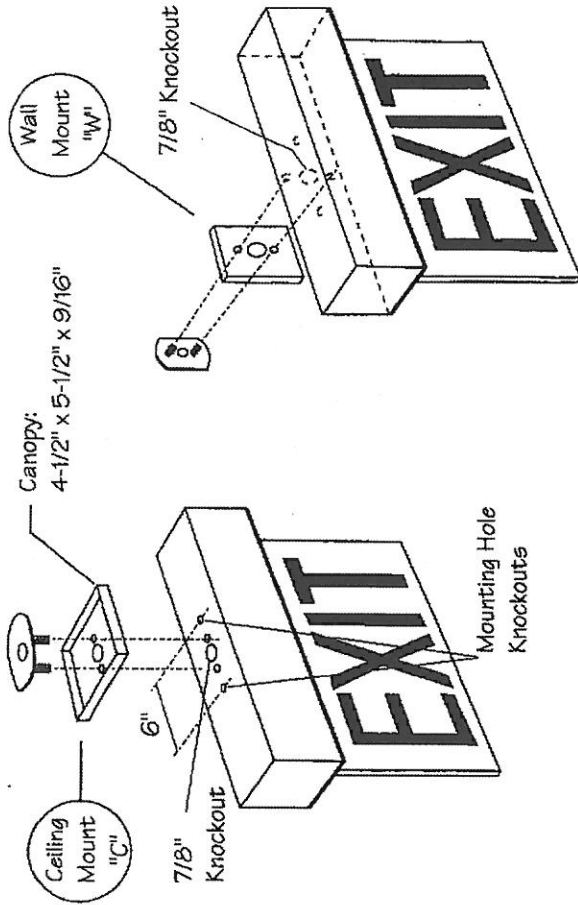


© 2014 WESTERN LIGHTING INC  
EDG-C-LED-2014-5

**Recessed**



**Surface**



Drawing #:	EDG1.2	Date:	10-17-00	Revised:		Scale:	NTS
------------	--------	-------	----------	----------	--	--------	-----

**EDG Series Exit Fixture  
Dimensions**

**WESTERN LIGHTING, INC.**  
2349 N. 17th Ave.  
Franklin Park, IL 60131  
(847)451-7200 • Fax (847)451-7275