

# EDG-EM-C

## SURFACE/CEILING MOUNTED EDGE LIT EXIT SIGN WITH 120 MINUTE DC BATTERY BACK UP

### SPECIFICATIONS

**HOUSING:** Welded 20 gauge cold rolled steel is painted after fabrication. Housing dimensions are a 4" deep by 4-3/4" wide by 15" long. Add 1/2" for mounting canopy.  
**STAINLESS STEEL ALSO AVAILABLE** (See FINISH).

**INSCRIPTION:** Letters are a full 6" high x 3/4" stroke, deep engraved around the edges, screened on a 3/16" acrylic panel. The panel has polished edges for a clear crisp look. A divider plate is included for double panel signs. Arrows are full-length underneath inscription.  
Red letters on clear "-R/C".  
Red letters on white "-R/W".  
Green letters on clear "-G/C".  
Green letters on white "-G/W".  
Consult factory for special inscriptions and graphics "-SG".

**LAMPS:** Two F8T5 fluorescent lamps are included, each with a separate ballast.

**VOLTAGE:** Available 120 or 277 volt input. Please specify "-120" or "-277". (Dual-voltage not available)

**OPERATION:** Unit operates as a self contained emergency system. Battery and charger are contained in the sign and meet UL 924 recharge requirements. Nickel Cadmium battery with 120 minute capacity with both lamps illuminated. Pilot light and test switch accessible thru the trim plate.

**FINISH:** Standard is white enamel "-WH".  
Optional finishes are:  
Black "-BL".  
Bronze "-BZ".  
Brushed Stainless Steel "-SS".  
For custom colors specify "-S/P" and consult the factory.

**MOUNTING:** 7/8" diameter knockouts are provided on top center. Canopy is included.  
For pendant mounting see (OPTIONS).

**OPTIONS:** Pendant mounting kit is available specify "-PMK/(LENGTH)", where (LENGTH) is stem size in inches.

**CODES:** Complies with UL 924, NEC and NFPA 101 Life Safety Code.  
**Fire Prevention Bureau, City of Chicago**  
ETL listed.

**DIMENSIONS:** Panel size is as follows:

#### EXIT or STAIRS

Height, no arrows	6 7/8"
Height with arrows	8 3/4"
Width	13 5/8"

### ORDERING CODE

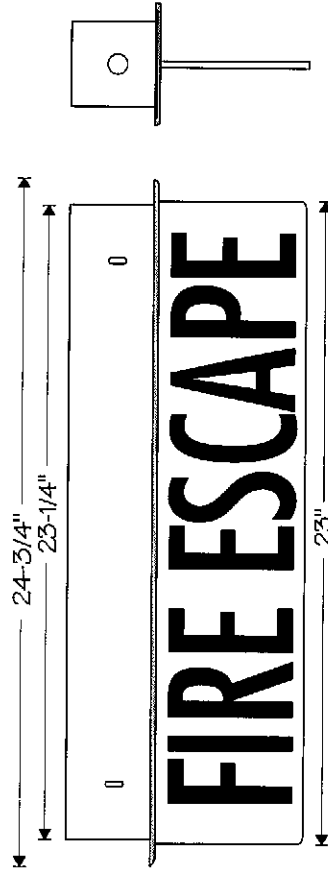
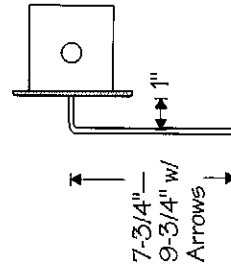
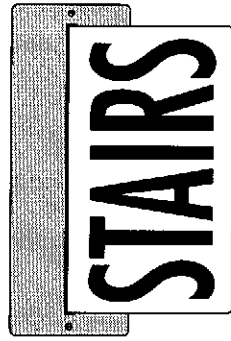
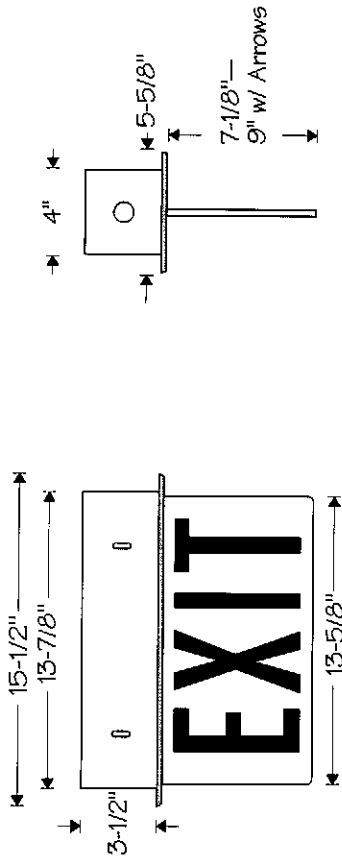
SERIES	INSCRIPTION CODE			VOLT	FINISH	OPTIONS		
<b>EDG-EM-C</b>	<b>+</b>			<b>+</b>	<b>+</b>			<b>+</b>
C (Surface Ceiling Mounted)	(*CODE)-R/C (*CODE)-R/W (*CODE*)-G/C (*CODE)-G/W (*CODE)-SG *SEE BELOW	120 277		WH BL BZ SS S/P				PMK/(LENGTH)
INSCRIPTION	<u>SINGLE FACE</u>				<u>DOUBLE FACE</u>			
	NO ARROW	ARROW RIGHT	ARROW LEFT	DOUBLE ARROW	NO ARROW	ARROW RIGHT	ARROW LEFT	DOUBLE ARROW
EXIT	3	6	9	12	18	21	21	24
STAIRS	2	5	8	11	17	20	20	23



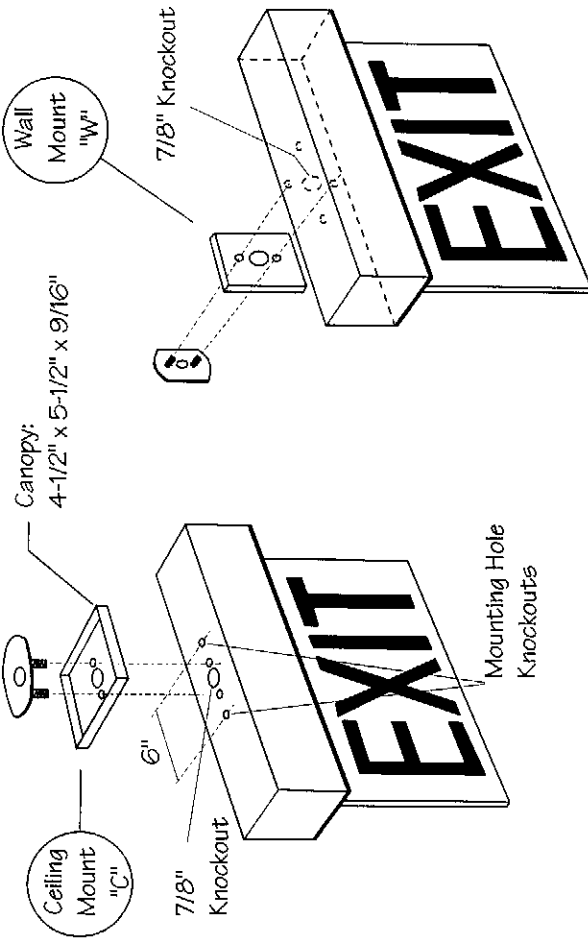
**WESTERN LIGHTING, INC.**  
2349 N. 17th Ave. • Franklin Park, IL 60131-3432  
(847) 451-7200 • Fax: (847) 451-7275



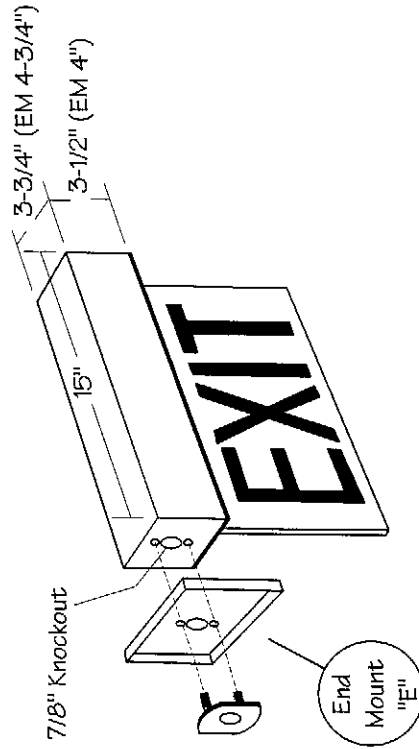
**Recessed**



**Surface**



Mounting Hole Knockouts



Drawing #: EDG1.2 Date: 10-17-00 Revised: 03-11-10 Scale: NTS

**EDG Series Exit Fixture Dimensions**



**WESTERN LIGHTING, INC.**  
2349 N. 17th Ave. Franklin Park, IL 60131  
(847)451-7200 • Fax (847)451-7275

